

Z90 4G Smart POS Specification



1. Introduction

Z90 4G Smart POS machine, android 7.1 operating system, 5.0 inch full touch screen, super long standby with battery capacity is 5600MAh, built-in thermal printer, dual-camera, 4G/3G/2G/Wifi/ bluetooth communication, supports magnetic stripe , contactless IC card, contact IC card.

This fine workmanship and top quality machine is the best choice in the market.

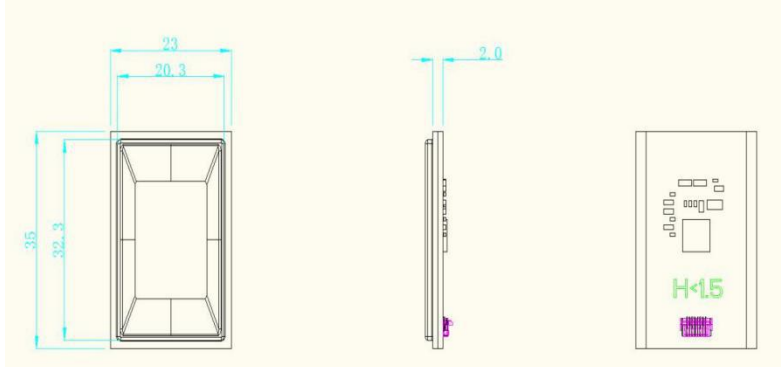
2. Features

- ✓ Android 7.1, depth customized operating system, Quad-core with high performance, financial-level security Dual CPU design, supports remote updating.
- ✓ Large- capacity lithium-ion battery, more than 100 hours standby with sleep mode, one time fully charging can work for 500 transactions.
- ✓ Supports high speed thermal printing, and barcode scanning.
- ✓ Customized color, logo, Boot screen is acceptable.

3. Technical Specification

Z90	
Operating system	Android 7.1
CPU model	Qualcomm Quad-Core ARM Cortex-A7 Processor
CPU Clock Range	1.1GHz

RAM	RAM:1GB EMMC:8GB
LCD Screen	5.0 inch Display Resolution: 720*1280
Fingerprint collection module(optional)	Spatial resolution :508 DPI Active sensor area :12.8mm*18.0mm (In compliance with FBI)
Communication	4G/3G/2G/Hot spot/Bluetooth
GPS	Built-in GPS
USB	USB 2.0 HS, Micro USB(OTG), Mini USB serial port
Camera	Rear camera:5 Mega-pixel Front camera:0.3 Mega-pixel Support 1D / 2D scanning
Card Slot	SIM ×1; SAM×2; microSD×1
Touch Screen	Capacitive touch screen, support the electronic signature
Printer	Built-in high speed thermal printer, 58mm print paper
Magnetic card	Support 1/2/3 track, Bi-directional swiping
Contact IC card	support type A(5.0V), type B(3.0V) or type C(1.8V) (In compliance with EMV and PBOC)
NFC card	Support ISO/IEC14443 Type A&B, Mifare1 (In compliance with EMV and PBOC, with card reading indicator)
GPS	Built-in GPS
Multimedia	Support for recording, voice broadcast Support video play back/recording
Password keyboard	Built-in password keyboard (virtual); Support DES, 3 DES, RSA, SHA - 256 and AES; algorithm
Battery	Lithium battery, 2800 mAh, 7.4V
Power adapter	Input:110V to 240V AC/50 ~ 60Hz Output: 5 v DC / 2 A General Micro USB interface
Dimension and weight	191.6mm×80.2mm×46mm, 424g
Standard Accessories	1pc power adaptor, 1pc User Manual, 1pc Warranty card, 1pc USB cable, roll 58mm thermal paper, 1pc desk top charger(optional) 1pc silicone protecting case(optional)
Certificate	Unionpay Terminal Safety Certification Unionpay POS Terminal Safety Assessment EMV Contact Terminal L1&L2 EMV Contactless Terminal L1 PCI 5.x, PBOC3.0 L1&L2 QUICS, FCC, CE, 3C, FBI(Fingerprint module) PAYWAVE PAYPASS TQM

<p>Fingerprint collection module(option al)</p>	<p>Spatial resolution :508 DPI Active sensor area :12.8mm*18.0mm Size: 23.0 * 35.0 mm Image resolution: 508 dpi Communication interface: SPI(slave) Working temperature: 0~55°C System support: Embedded, android, Linux</p> 
---	--

Charging Base/Dock		
Hardware	Chipset:MT7628MN; 8MB FLASH; 64MB DDR2	
WiFi	WiFi Frequency	2.4~2.4835GHz
	RF Standards	Based on IEEE 802.11n,IEEE 802.11g,IEEE 802.11b
	Signal Rate	802.11n:Up to 300Mbps 802.11g:Up to 54Mbps 802.11b:Up to 11Mbps
	Modulation Type	DBPSK,DQPSK,CCK and OFDM(BPSK/QPSK/16-QAM/64-QAM)
Port	WAN	1*RJ45 WAN Port
	LAN	1*RJ45 LAN Port
	USB	1*TypeC, high speed USB2.0, 5V 2A input
	USB-A	1*USB-A, 5V 200mA output
	POGO PIN	2*POGO PIN, for Z90 charging